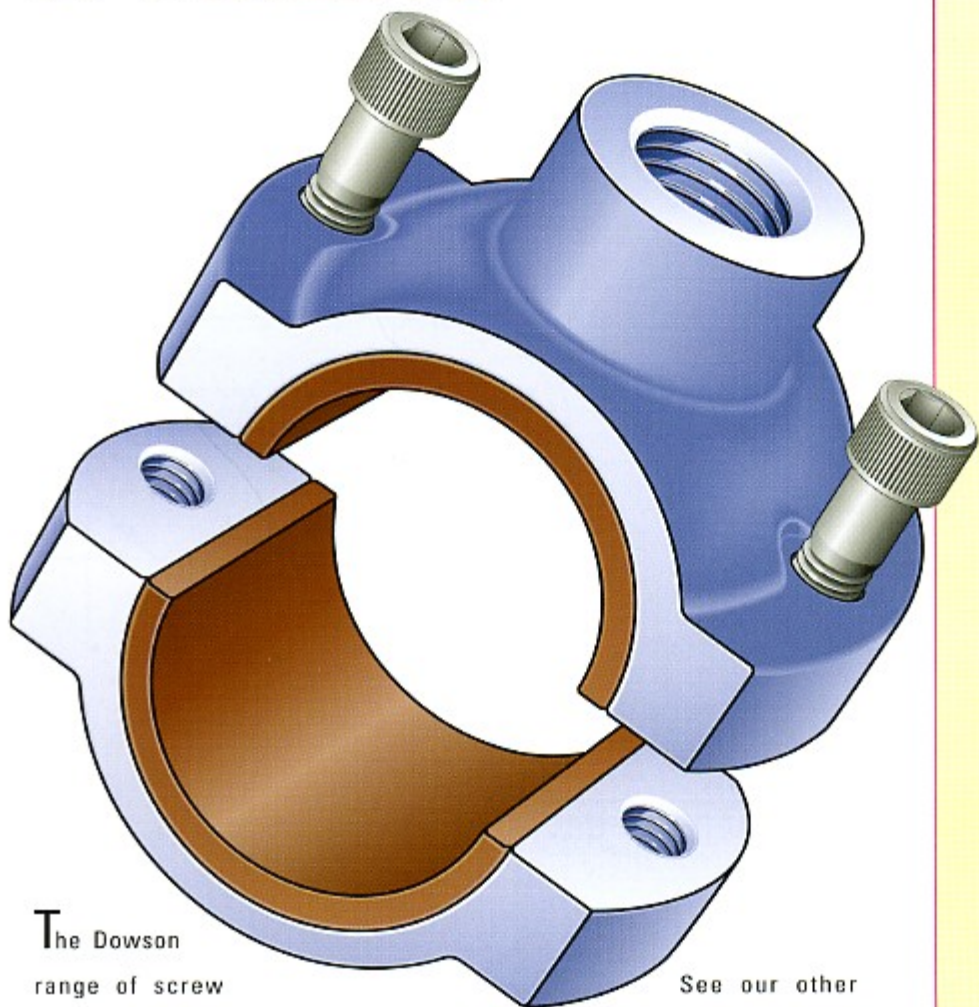


# BEARING HOUSINGS & INSERTS



The Dowson range of screw conveyor hanger bearings are of heavy duty construction and proven design.

The robust cast iron housings enclose a choice of inserts made from various materials. The most frequently used insert is our asbestos-free ferroform but the range includes Devlon 'S' which is FDA approved, cast iron and advanced ceramic for abrasive and high temperature applications.

Housings and inserts are available in metric and imperial sizes, usually from stock, as are support tubes and nuts. Standard sizes are shown overleaf however other sizes are available on request.

See our other sales literature for details of our standard gun metal bearings and self lubricating bearings.

Details are also available of our complete screw conveyor component service which enables us to despatch anything from a single spare to components for a complete machine on an off the shelf basis. Fully assembled conveyors utilising standard components can be supplied on a short delivery.

In addition to the above, Dowson Handling are experienced in engineering and design, enabling us to offer a complete custom built screw conveyor service.



Cast Iron



Feroform



Advanced Ceramic



Devlon 'S' - FDA Approved



**ANACONDA BELTING COMPANY**

(A Division of Wildex Limited)

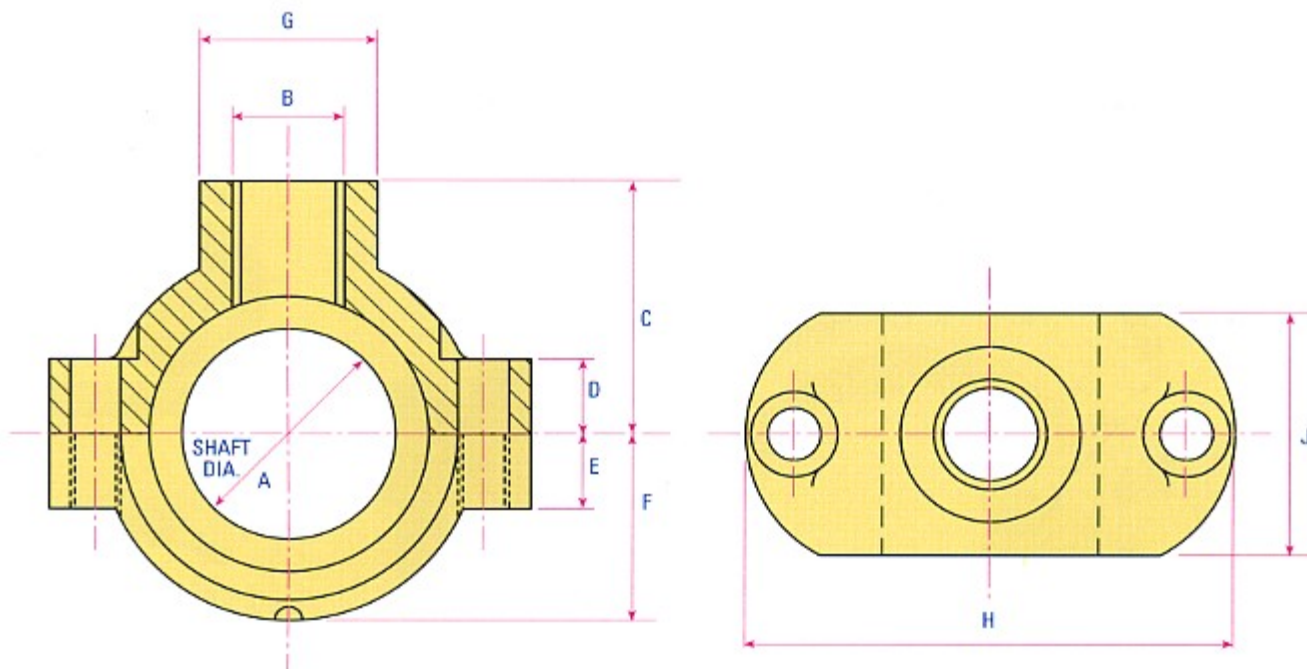
2 Ashwood Place, Bean, Dartford, Kent DA2 8BD

Tel: 01474 709784

Fax: 01474 709896

# CAST IRON BEARING HOUSING & INSERT

## Intermediate Bearing Dimensions



Dimensions are for planning-in purposes. Certified drawings available.

CAST IRON BEARING HOUSING & INSERT (METRIC)								
Shaft Dia.	Thread							
A	B	C	D	E	F	G	H	J
40	M24	50	21	16	36	38	86	45
50	M24	62	23	18	44	42	108	57
55	M24	62	23	18	44	42	108	57
60	M24/M30	70	25	20	52	50	126	70
65	M30	70	25	20	52	50	126	70
75	M36	80	35	22	60	56	138	82

DIMENSIONS IN MILLIMETRES

CAST IRON BEARING HOUSING & INSERT (IMPERIAL)								
Shaft Dia.	Thread (Whit)							
A	B	C	D	E	F	G	H	J
1 1/2"	1"	2"	7/8"	5/8"	1 1/2"	1 1/2"	3 3/8"	1 3/4"
2"	1"	2 1/2"	1"	3/4"	1 3/4"	1 5/8"	4 1/4"	2 1/4"
2 1/2"	1"	2 3/4"	1"	3/4"	2"	2"	5"	2 3/4"
3"	1 1/4"	3"	1 3/8"	7/8"	2 3/8"	2 1/4"	5 1/2"	3 1/4"

DIMENSIONS IN INCHES



**ANACONDA BELTING COMPANY**

(A Division of Wildex Limited)

2 Ashwood Place, Bean, Dartford, Kent DA2 8BD

Tel: 01474 709784

Fax: 01474 709896

In accordance with our policy of continual improvement of our products, we reserve the right to alter specifications without notice.